

Caratteristiche - Specifications - Caractéristiques - Características

IN	Ø	3/8 BSP
	Press. Min.	1 bar (15 PSI)
	Press. Max.	6 bar (87 PSI)
	Temp. Max.	60°C (140°F)
OUT	Ø	3/8 BSP
SHAFT	Ø	Hollow 24 mm
OIL	SAE 75W 90	0,5l (0.13 U.S.gal.)
WEIGHT	kg (lbs)	5,5 kg (12.1 lbs)
MOTOR	Type	IEC 80 B14-19 mm
		IEC 90 B14-24 mm



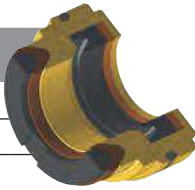
IEC 90



IEC 80

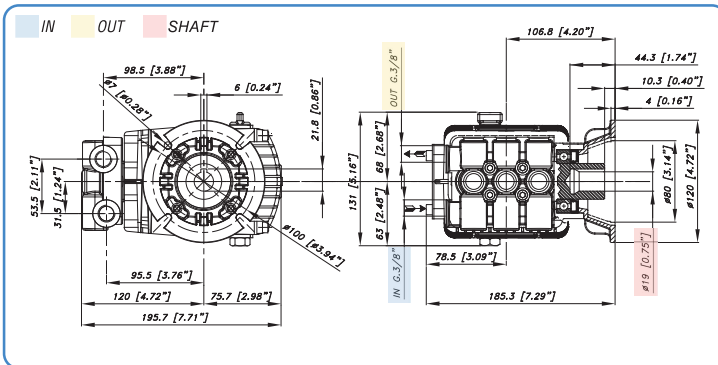
Guarnizioni - Seals
Joints - Juntas

Anteriori - Front	"V"
Posteriori - Rear	"U"

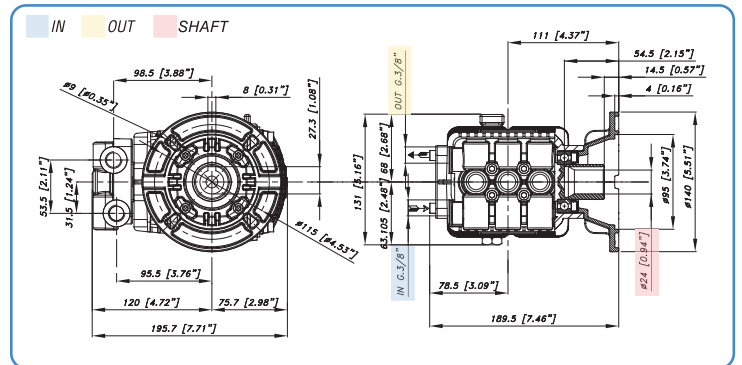


IEC 80	IEC 90	Modello Model	Press. Max Max Pres.		1450 RPM				Pistone Plunger	Corsa Stroke
			bar	PSI	l/min	GPM	kW	hp		
02.6044.97.3	02.6040.97.3	WJC-U 110	100	1450	1,3	0,3	0,3	0,4	15	2
02.6045.97.3	02.6041.97.3	WJC-U 210	100	1450	2,0	0,5	0,5	0,6	15	3
02.6046.97.3	02.6042.97.3	WJC-U 410	100	1450	4,0	1,0	0,9	1,2	15	6
-	02.6043.97.3	WJC-U 710	100	1450	7,0	1,8	1,4	1,9	15	10

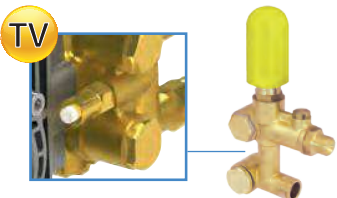
IEC 80



IEC 90



Accessori di completamento - Complementary accessories - Accessoires complémentaires - Accesorios complementarios



Valvole regolazione pressione APR.U: attacco con viti cave - Pressure relief valves APR.U with banjo connections
Régulateurs de pression by-pass APR.U - Válvulas de regulación de presión APR.U: conexión con tornillos de fijación

Codice Code	Uscita Outlet	Modello Model	Press. Max Max Pres.		Portata Flow		Attacco pompa Port size	Entrata Inlet	Peso Weight	
			bar	PSI	l/min	GPM	BSP	BSP	kg	lbs
05.8708.97.U	3/8 BSP-M	APR.U 14	100	1450	21	5.5	3/8	1/2 - M	0.83	1.8
05.8711.97.U	22x1.5-M								0.87	1.9

Temperatura max: 60°C - 140°F - Max temperature: 60°C - 140°F - Température maxi: 60°C - 140°F - Temperatura máx: 60°C - 140°F



Valvole regolazione pressione UNIFIT.U con by-pass esterno - Pressure relief valves UNIFIT.U with external by-pass
Régulateurs de Pression UNIFIT.U - Válvulas de regulación de presión UNIFIT.U

Codice Code	Uscita Outlet	Modello Model	Press. Max Max Pres.		Portata Flow		Attacco pompa Port size	Entrata Inlet	Peso Weight	
			bar	PSI	l/min	GPM	BSP	BSP	kg	lbs
05.8730.97.U	3/8 BSP-M	UNIFIT.U 14	100	1450	30	8.0	3/8 - M	3/8 - M	0.57	1.25
05.8733.97.U	22x1.5-M								0.61	1.35

Temperatura max: 60°C - 140°F - Max temperature: 60°C - 140°F - Température maxi: 60°C - 140°F - Temperatura máx: 60°C - 140°F